

BL-001620-XX1

REVISIONS

ISS	CHANGE #	DATE	BY	APPROVED DATE
1	ERR-10560	1 MG	DP	4-2-93

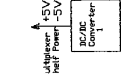
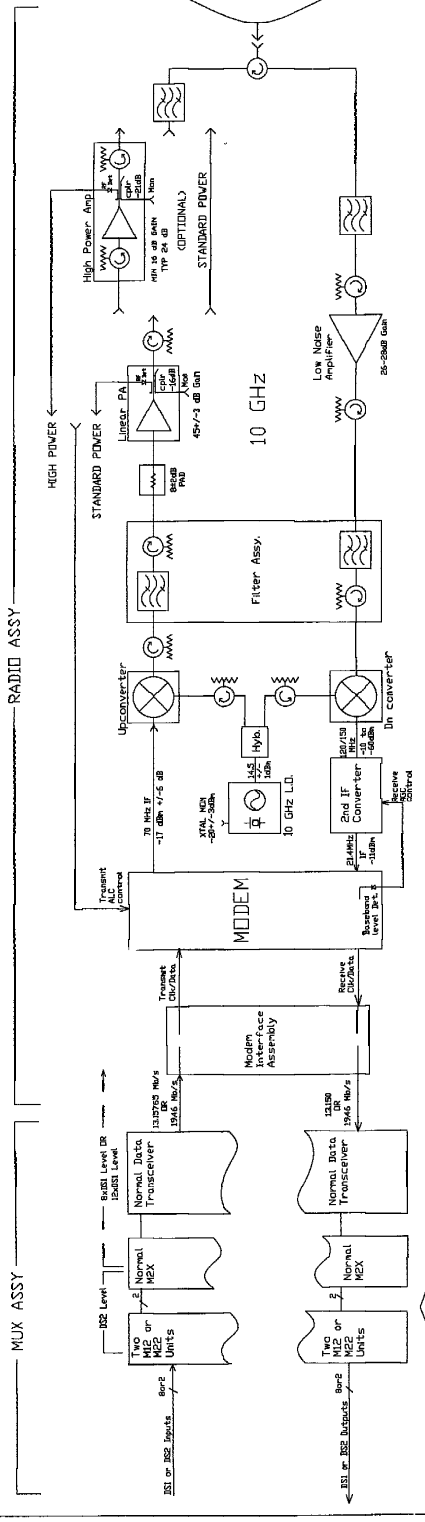


TABLE A

TOP IF RACK SPECIFICATION	RADIO AND FCC CHANNEL TYPE	
	8T	12T
49 QPR, 375 MHz POINT-TO-POINT	49 QPR, 50 MHz DTS	49 QPR, 50 MHz POINT-TO-POINT
POWER OUTPUT (max) High Power Option	+23 dBm	+23 dBm
POWER OUTPUT (min) Low Power Option	+12 dBm	+12 dBm
RCVR Threshold	-74 dBm	-72 dBm
1 E-6 BER RCVR Threshold Standard Power	-75 dBm	-73 dBm

TABLE B

TX FREQUENCY RANGE	LD FREQUENCY	CRYSTAL FORMULA	RX FREQUENCY
10550 - 10645	Fxnt(4Hz) - 70 MHz	LD FREQUENCY / 108	Fxnt 145
10613 - 10680	Fxnt(4Hz) - 70 MHz	LD FREQUENCY / 108	Fxnt 145

NOTES:

[1] SEE TABLE A FOR TOP OF RACK SPECIFICATIONS.

[2] SEE TABLE B FOR EXACT RF FREQUENCIES (+/- .005%).

HARRIS FARRION DIVISION

NEXT ASSY: []

ENGINEER: SUN MOON YANG 11-17-88

DRAWER: MARY GRANADOS 03-28-93

DWTO-8/12T

NON-PROT. TERMINAL

SCALE: NONE / DIST: []

BL-001620-XX1

SIZE D

BL670A